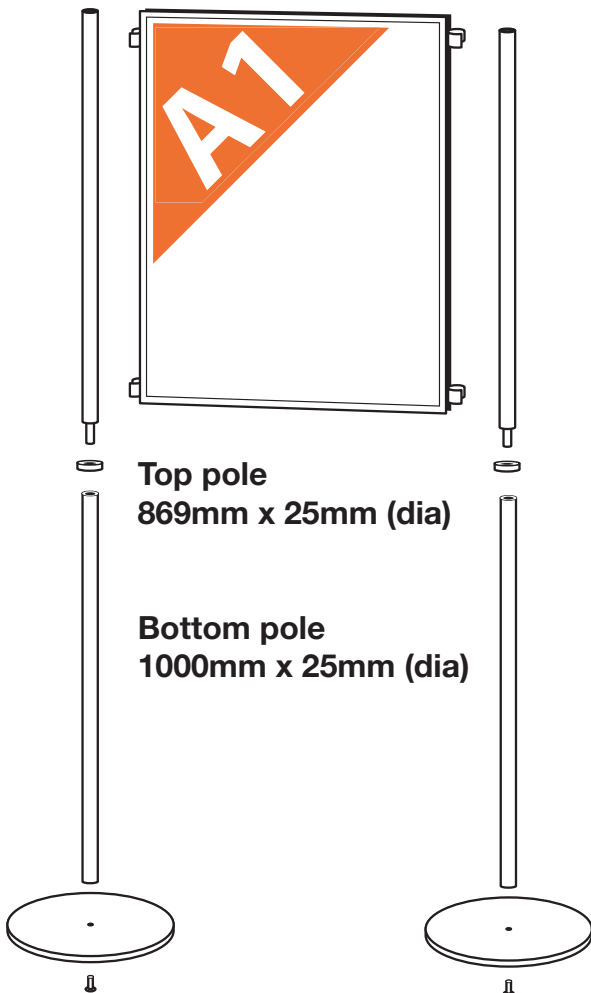


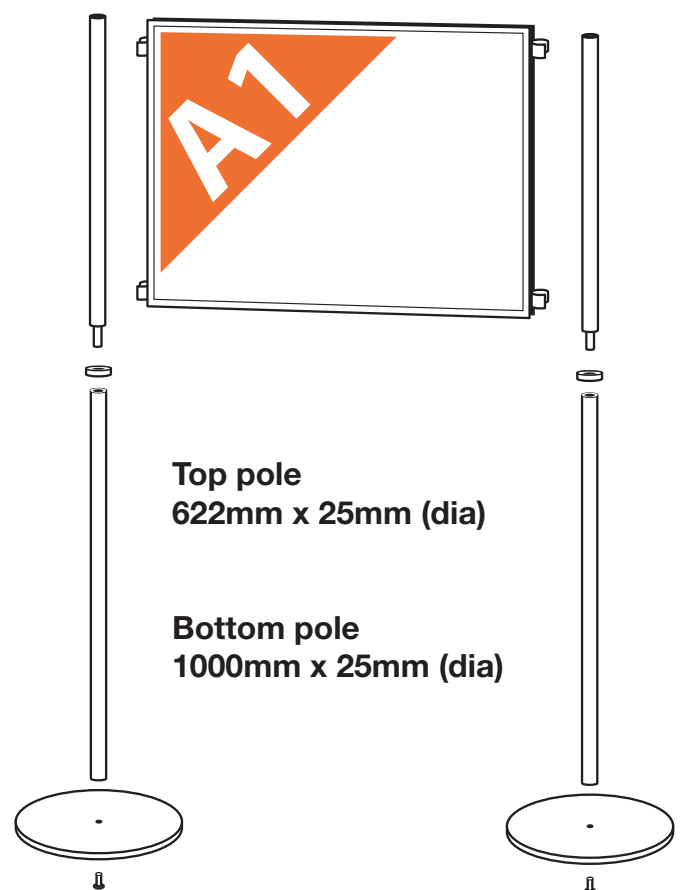
USER GUIDE: A1 ELEVATED DISPLAY BOARDS

Modular Elevated display stands that can link together to form longer runs.

PORTRAIT



LANDSCAPE



IMPORTANT – BASE SCREWS

Base screws are taped to the inside of the base boxes & are wrapped in a protective foampackaging. Please remove before disposing of boxes.